



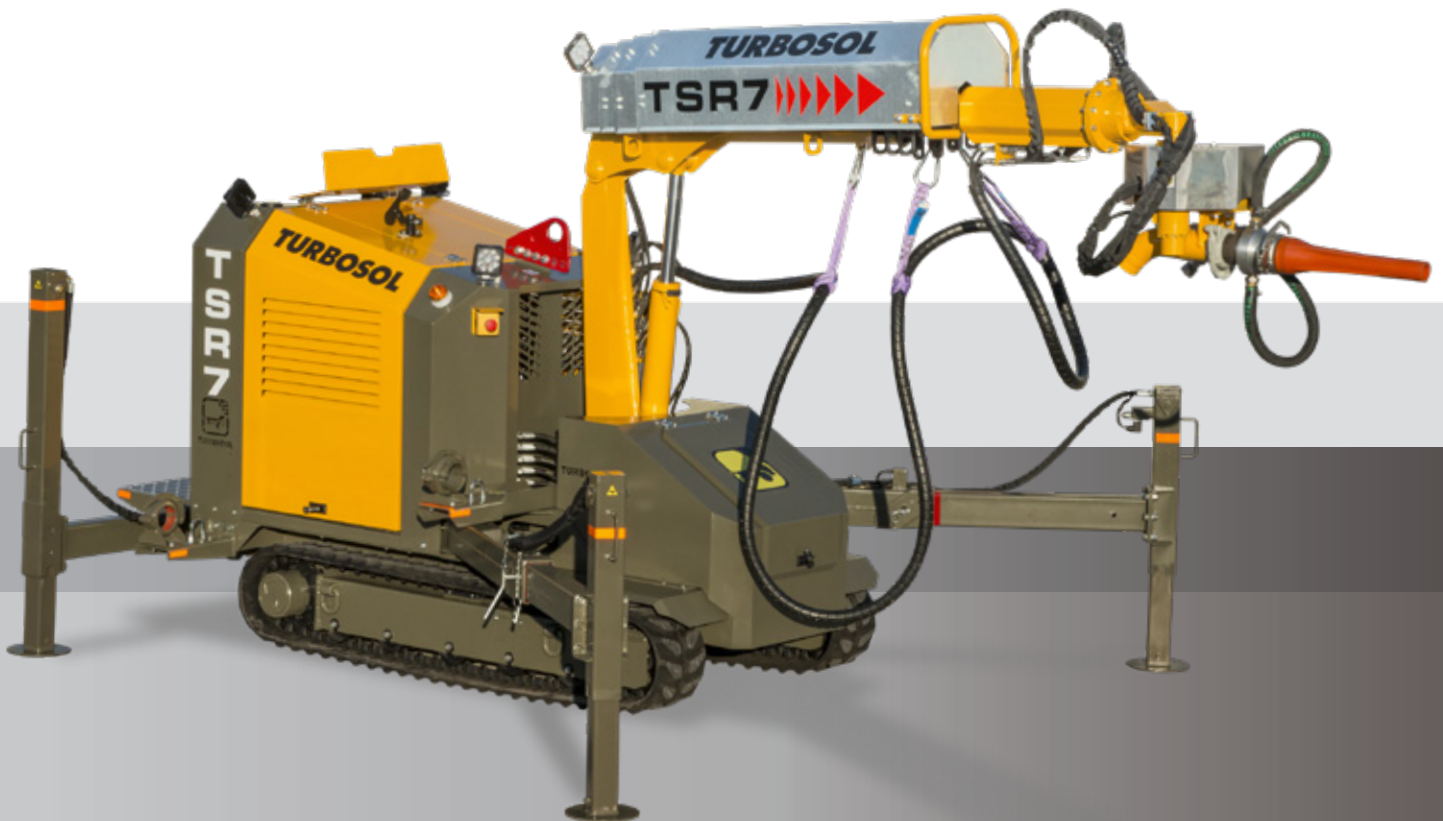
TURBOSOL[®]

PUMPING TECHNOLOGY FOR THE UNDERGROUND INDUSTRY

TURBOSOL
over 60 years
of experience
and reliability

TSR 7

CONCRETE SPRAYING SYSTEM



TSR 7: crawler equipment designed for shotcrete applications in jobsites with difficult access and tunnels.

www.turbosol.com

TSR 7

TECHNICAL DATA

TELESCOPIC SPRAYING ARM

Maximum spraying reach*	vertical 8,80 m / horizontal 7,70 m
Minimum spraying reach*	vertical 2,5 m / horizontal 2,4 m
Arm extensions	4 sections (3 telescopic) proportional drive
Telescopic stroke	3 m
Working lights	2 x 15 W led spotlights

SPRAYING HEAD

Rotation	360°
Inclination	240°
Nozzle diameter	Ø 45 mm

DUAL DRIVE

Electric	7,5 kW
Diesel	18,5 kW

PROPORTIONAL REMOTE CONTROL

Drive	radio/cable
-------	-------------

CRAWLER CARRIER

Engine	Kubota - 2 cyl. 18,5 kW-Tier 4/Stage V
Transmission	Hydrostatic
Traction	2-speed
Speed	1,5 km/h - 3 km/h
Braking system	Automatic negative parking brakes
Steering	2 rubber crawlers
Stabilizer	4 hydraulic stabilizers
Driving lights	4 x 15 W led spotlights
Beacon	Amber
Electric equipment	12 V / 77 A/h
Diesel tank capacity	43 l
Hydraulic oil tank	46 l

DIMENSIONS

Size (LxWxH)	410 x 120 x 210 cm
Weight	2.210 kg

* The data indicated are theoretical and depend on the quality and consistency of the materials to be used, wear and tear of the unit and diameter of the hoses.

Characteristics

TSR 7 is a tracked unit for spraying concrete ideal for underground works or areas difficult to reach. Equipped with a powerful crawler carrier, TSR 7 is the best means to move in rugged and irregular work sites with total autonomy of movement.

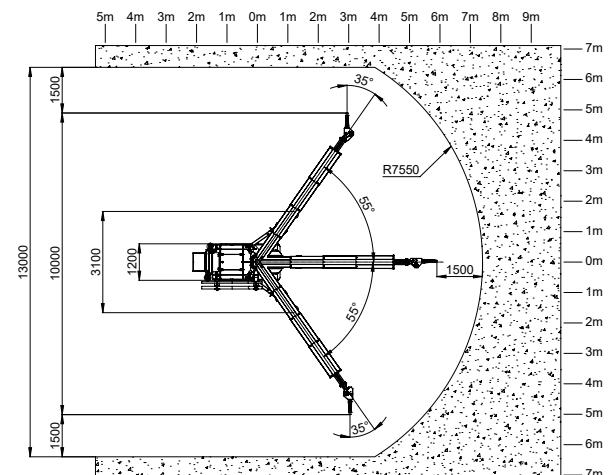
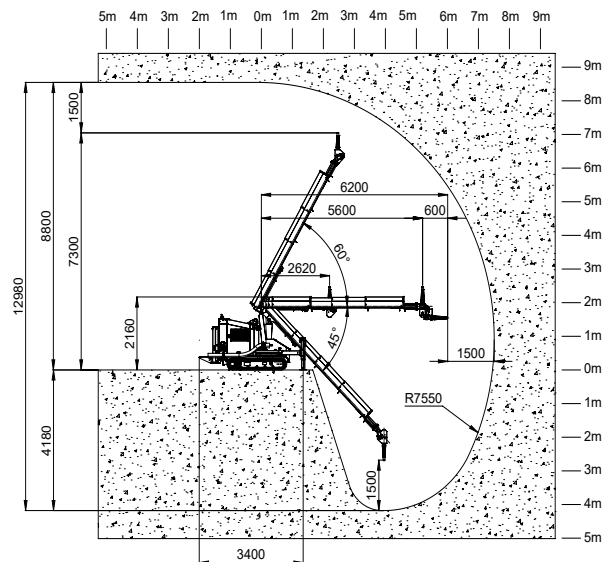
It can work either with the diesel engine or with the electric motor. This dual operation mode allows it to work even in areas with scarce power supply.

Thanks to the sturdy telescopic boom with 4 sections, long reach and compact design, TSR 7 can be used either for dry or wet shotcrete. Two wide side doors make every component accessible for fast maintenance and control operations.

The perfect addition to TSR 7 are Turbosol Beton Master or TB 30 stationary concrete pumps which can be supplied with integrated admixture dosing pump.

Optionals

- Shotcrete guns
- Concrete hose Ø 50, Ø 65 and Ø 75
- Admixture hose
- Air hose



PUMPING TECHNOLOGY FOR THE UNDERGROUND INDUSTRY

TURBOSOL PRODUZIONE S.r.l.

Via Alessandro Volta, 1 - 31030 Pero di Breda di Piave (Treviso) - Italia

Tel. +39 0422 90251 - Fax +39 0422 904408 - E-mail: info@turbosol.it - www.turbosol.com

Standard equipment and optionals could vary due to specific market and legal requirements. The data in this brochure are purely indicative. Turbosol Produzione S.r.l. could make alterations to the models described in this brochure at any time for technical and commercial reasons.

