

SERIES

ALS

Automatic self-propelled mixers for self-levelling screeds  
on anhydrite or cement base



THE EVOLUTION OF SCREED



SERIES

# ALS

MSA 15.8 ALS PTO

MSA 18.9 ALS R

MSA 12.12 ALS R

MSA 21.13 ALS R

MSA 17.13 ALS R

DOUBLE BINDER SILO VERSIONS

MSA 15.5.3 ALS PTO

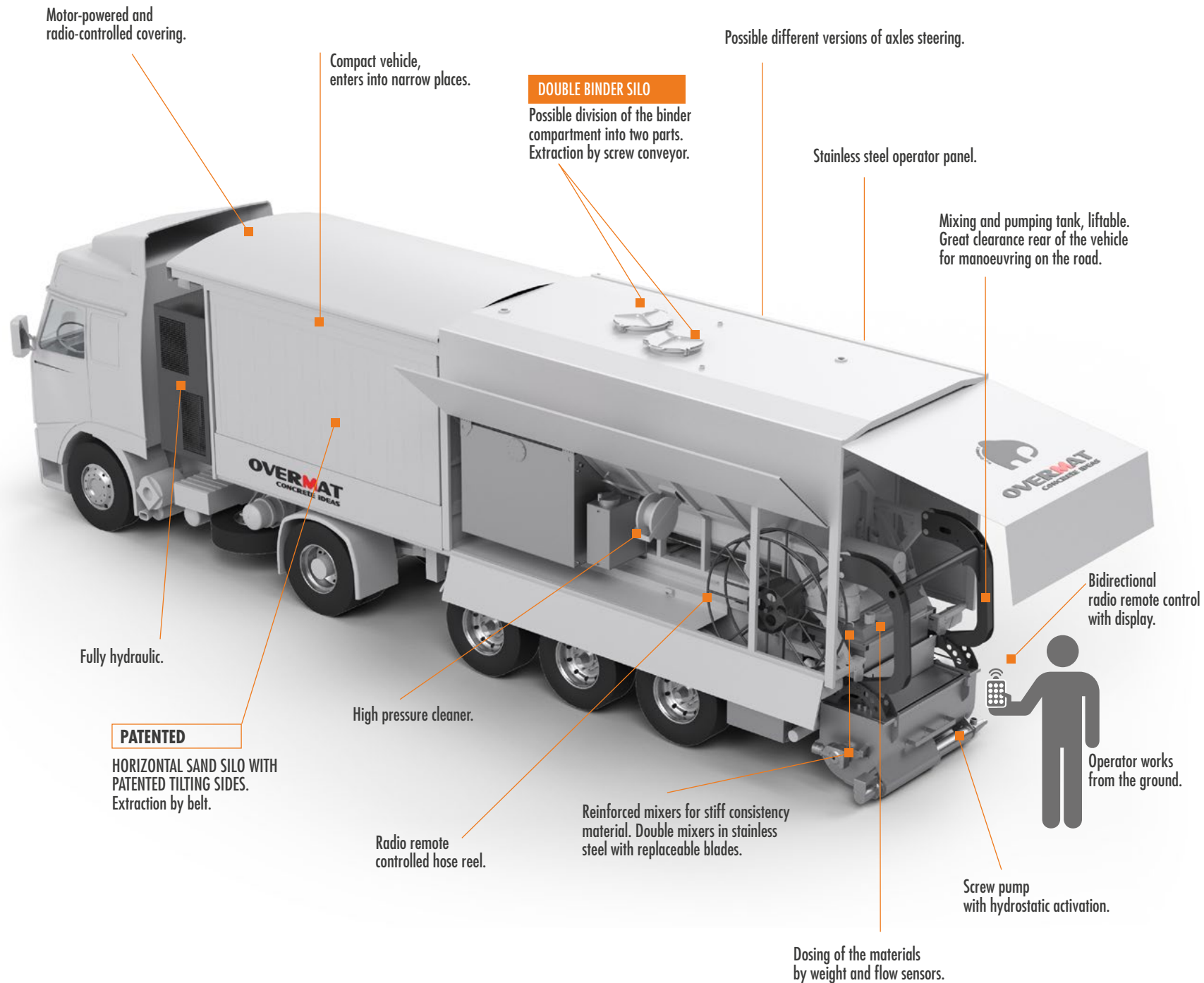
MSA 18.5.3 ALS R

MSA 12.7.5 ALS R

MSA 21.8.5 ALS R

MSA 17.8.5 ALS R

	Traditional screed	<input type="checkbox"/>
	Self-levelling screed	<input checked="" type="checkbox"/>
	Lightweight subfloors	<input checked="" type="checkbox"/>



Motor-powered and radio-controlled covering.

Compact vehicle, enters into narrow places.

**DOUBLE BINDER SILO**  
Possible division of the binder compartment into two parts. Extraction by screw conveyor.

Possible different versions of axles steering.

Stainless steel operator panel.

Mixing and pumping tank, liftable. Great clearance rear of the vehicle for manoeuvring on the road.

Fully hydraulic.

**PATENTED**  
HORIZONTAL SAND SILO WITH PATENTED TILTING SIDES. Extraction by belt.

High pressure cleaner.

Radio remote controlled hose reel.

Reinforced mixers for stiff consistency material. Double mixers in stainless steel with replaceable blades.

Bidirectional radio remote control with display.

Operator works from the ground.

Screw pump with hydrostatic activation.

Dosing of the materials by weight and flow sensors.

## CEMENT OR ANHYDRITE BASED SELF-LEVELLING SCREED MIXED ON SITE

A self-levelling screed system from Overmat ALS Series is the best equipment for working in nowadays and tomorrow construction sites.

The most compact in its class, thanks to the flat-surface walls of the sand silo that unloads on a conveyor belt, it has an extremely low barycentre thanks to the liftable pumping mixer, which is protected while travelling.

It is an horizontal system without tipper and realizes your recipes with maximum versatility and precision. A powerful software allows you to accurately monitor the dosages, from inert products with different grain sizes, to binders and additives (liquid, gel or powder) or additional fibres.

Through the optional sand humidity probe, the computer automatically corrects the water quantity at each load. The product slump is always perfect, ensuring a resistance and a workability without comparisons. All the parameters are simply and intuitively planned on site, starting from the recipe loading sequence to the mixing times. The entire process is saved in the computer memory and can be exported either on a USB stick or via Internet.

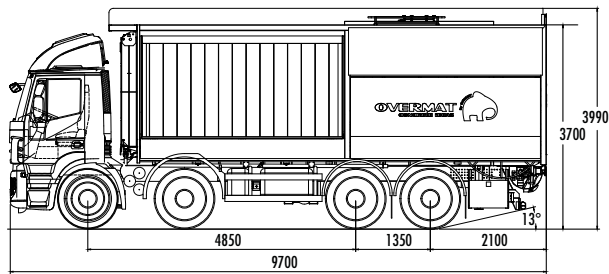
The Built-in diagnostics and our technicians' remote support allow you to work easily even in the most difficult situations. Liquid screed produced and controlled on site, it ensures maximum zero-mile quality!

### DOUBLE BINDER SILO VERSION

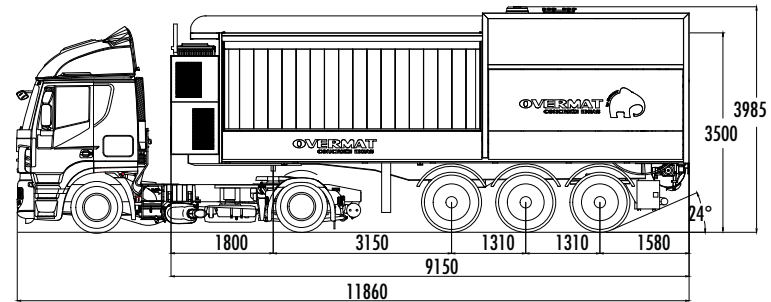
This one-of-a-kind version with the binder compartment divided into two parts (cement and filler), produces cement-based self-levelling screed with extreme precision, resulting in a considerable reduction of the recipe cost.



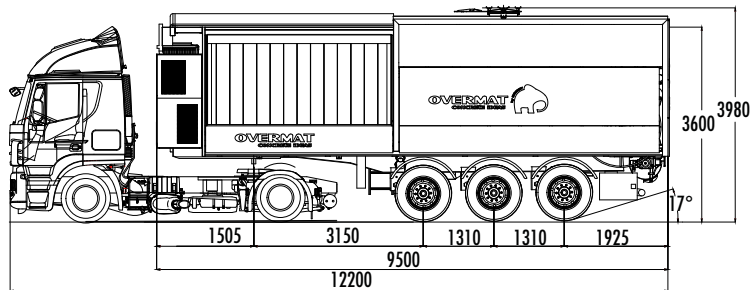
# MODELS OF THE "ALS SERIES"



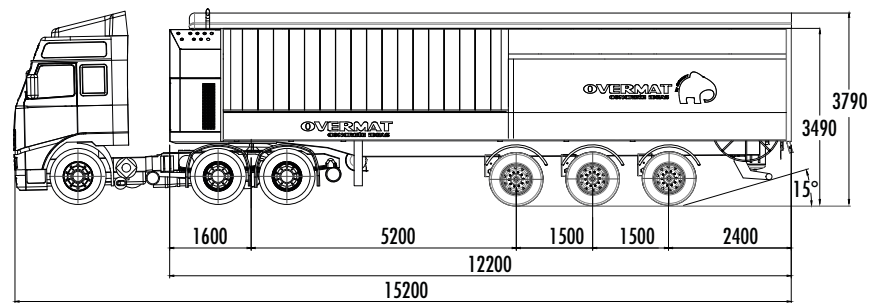
 MSA 15.8 ALS PTO



 MSA 18.9 ALS R



 MSA 12.12 ALS R



 MSA 21.13 ALS R - flat tilting sand compartment  
MSA 17.13 ALS R - sand compartment with fixed inclined sides





Patented tilting sides



MSA	15.8 ALS PTO (15.5.3)	18.9 ALS R (18.5.3)	12.12 ALS R (12.7.5)	21.13 ALS R (21.8.5)	17.13 ALS R (17.8.5)
Sand volume	15 m <sup>3</sup>	18 m <sup>3</sup>	12 m <sup>3</sup>	21 m <sup>3</sup>	17 m <sup>3</sup>
Binder volume	8 m <sup>3</sup> (5 m <sup>3</sup> + 3m <sup>3</sup> )	9 m <sup>3</sup> (5 m <sup>3</sup> + 3m <sup>3</sup> )	12 m <sup>3</sup> (7 m <sup>3</sup> + 5m <sup>3</sup> )	13 m <sup>3</sup> (8 m <sup>3</sup> + 5m <sup>3</sup> )	13 m <sup>3</sup> (8 m <sup>3</sup> + 5m <sup>3</sup> )
Dosing mixer	300 lt	300 lt	300 lt	300 lt	300 lt
Pumping mixer	600 lt	600 lt	600 lt	600 lt	600 lt
Water tank	1000 lt	1000 lt	1000 lt	1000 lt	1000 lt
Self-levelling production *1	0... 14 m <sup>3</sup> /h	0... 14 m <sup>3</sup> /h	0... 14 m <sup>3</sup> /h	0... 14 m <sup>3</sup> /h	0... 14 m <sup>3</sup> /h
Foam concrete production (optional) *1	0... 40 m <sup>3</sup> /h	0... 40 m <sup>3</sup> /h	0... 40 m <sup>3</sup> /h	0... 40 m <sup>3</sup> /h	0... 40 m <sup>3</sup> /h
Polystyrene production (optional) *1	0... 14 m <sup>3</sup> /h	0... 14 m <sup>3</sup> /h	0... 14 m <sup>3</sup> /h	0... 14 m <sup>3</sup> /h	0... 14 m <sup>3</sup> /h
Vehicle	4 axles truck	3 axles trailer	3 axles trailer	3 axles trailer TRIDEC steering	3 axles trailer TRIDEC steering
Engine	P.T.O.	Deutz Engine TCD 3.6 L4	Deutz Engine TCD 3.6 L4	Deutz Engine TCD 3.6 L4	Deutz Engine TCD 3.6 L4
Tare *2	7,5 ton Vehicle excluded	12,5 ton	12,5 ton	13,5 ton	13,0 ton

(\*1) According to the material and recipe used.

(\*2) Tares, weights and dimensions can change depending on the configuration.

**THE MSA 17.13 ALS R MODEL (17.8.5 IN THE DOUBLE BINDER SILO VERSION) IS EQUIPPED WITH FIXED INCLINED SAND SILO SIDES (INSTEAD OF THE PATENTED TILTING SIDES)**

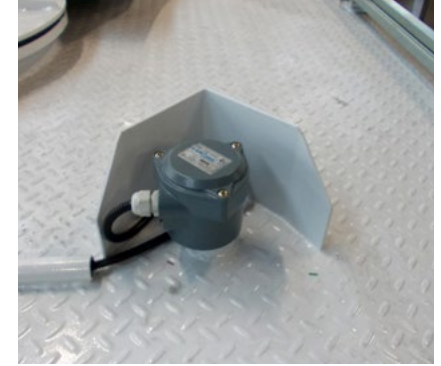
## AVAILABLE OPTIONS



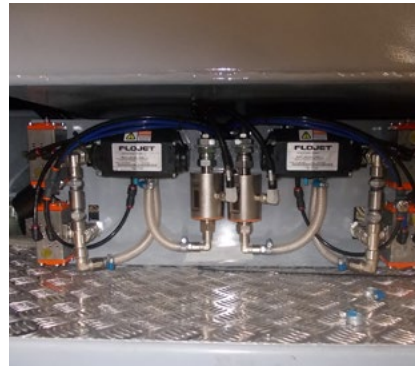
Aluminium side doors



Pneumatic refilling system for binder compartment



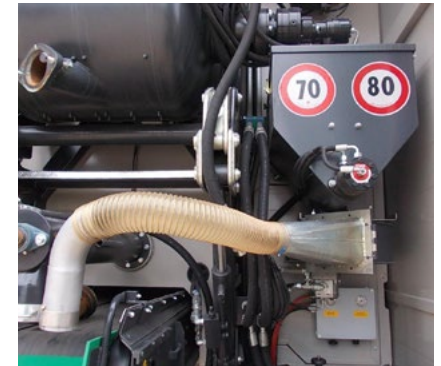
Level sensor on the binder compartment with alarm siren



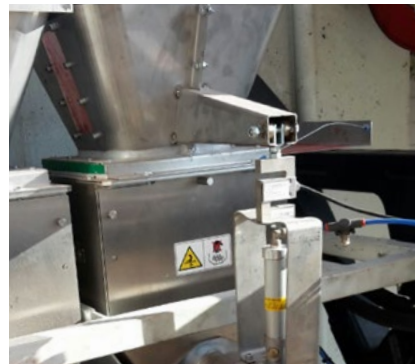
Up to 4 liquid additive dispenser kits with flow sensors



Metal fibres dispenser - dosing by weight



Polymeric fibres dispenser - dosing by time



Powder additive dispenser



Sand humidity probe



Air cannon in the sand compartment





Foaming kit for the production of foam concrete



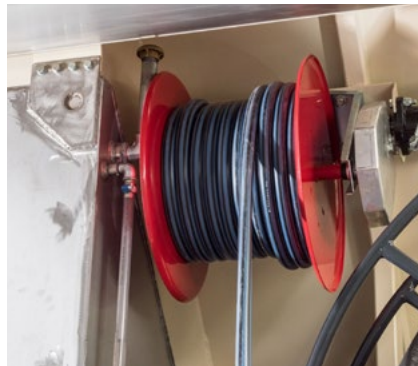
Kit for aspiration and dosing of polystyrene from an external source



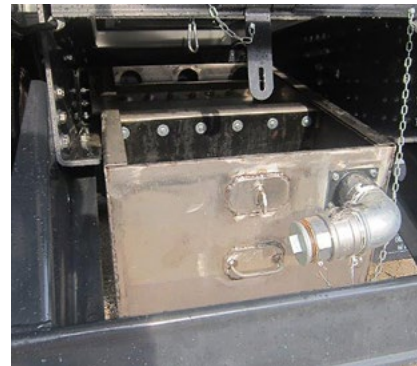
Additional water tank



Videocamera for reverse driving



Motorized reel for water pipes



Stainless steel washing water recovering tank



Electrical generator



"Polar" version



GPS tracking, internet data transmission, on-line real-time assistance



Via Campardone, 7 - 31014 Colle Umberto (TV) - Italia  
tel +39 0438 434443 - Fax +39 0438 430115  
info@overmat.it - www.overmat.it



[www.ormet.it](http://www.ormet.it)